



Wind Pitch Motors

100 VDC

TECHNICAL FEATURES

Power	45 Nm (12.63 HP)
Voltage	100 VDC
Variable speed	2000 / 3000 rpm
Enclosure	Totally Enclosed / Air Over
Insulation	Class H
Temp Range	-30/50° C
Altitude	2500
Construction	Flange Mounted
Protection	Up to IP54
Weight	Max 180 kg

TESTING

Heat run conducted at site
Beta test
IP 54 and IP 6X
Shake vibration

DURABILITY & RELIABILITY

Cast iron GE wind pitch motors are engineered and specifically tested to run again and again in severe wind turbine environments.



BENEFITS

- High bearing reliability
- Withstands shaking and vibration
- Pin-fixed orientation between end shields and frame
- C5M corrosion-resistant paint
- 180Nm Holding torque brake
- Dual fan for better cooling
- Additional spare RTD
- Safe vertical and horizontal lifting

PACKING

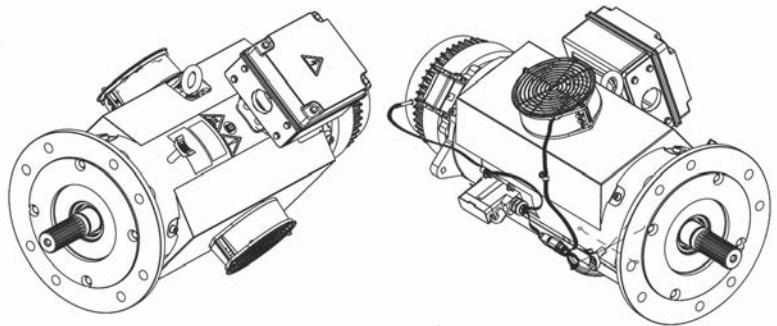
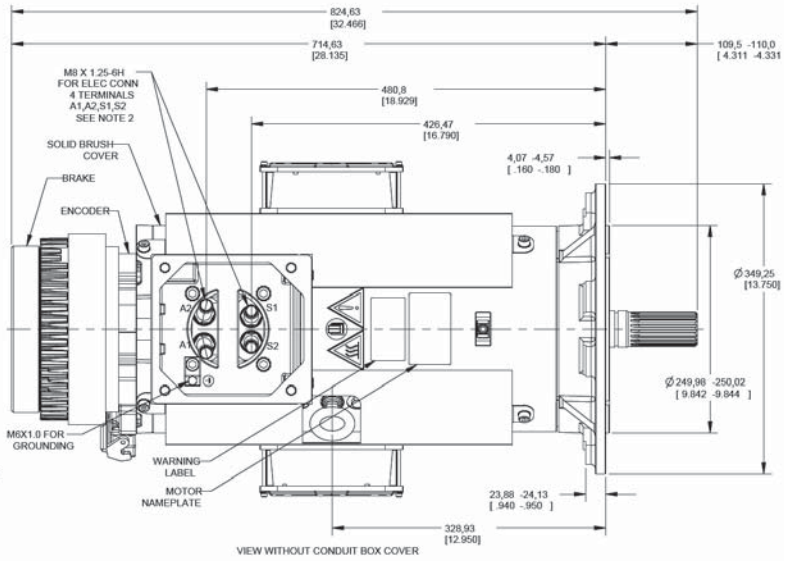
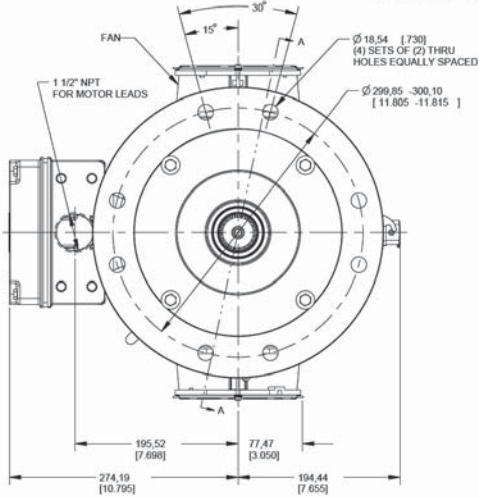
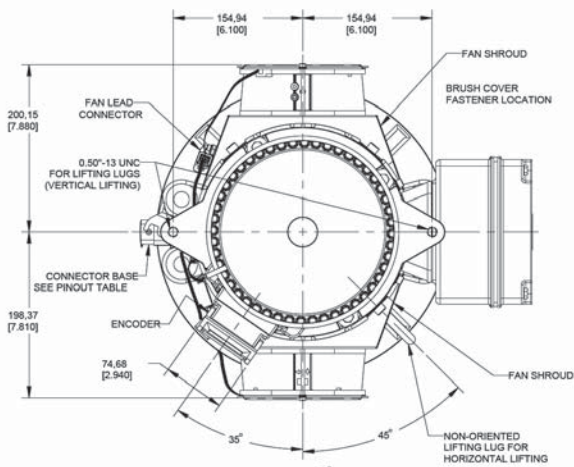
Single package drop tested according to MIL STD 810 method 516.5

COMPLIANCE

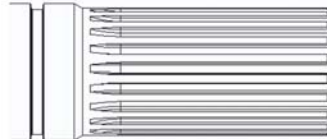
UL1004-1, UL1446
Conformité Européene and CSA



Dimensions



Recessed groove per ISO3601.



Spline shaft end fits into the gearbox per DIN 5480.

Monterrey, Mexico Manufacturing

- Motor and generator specialists
- Field service engineering
- Certified technicians
- VPI - Epoxy Process
- 750kVA dynamic test panel
- Dynamic balance machine
- Core loss tester
- Steam cleaner
- Dynamic motor analyzer
- PDMA static and dynamic analyzer



www.gepowerconversion.com

GE and GEGARD are trademarks of General Electric Company. ©2017, General Electric Company. All rights reserved.

WPM Factsheet-EN (6/2017)