

LV 7000 Drives

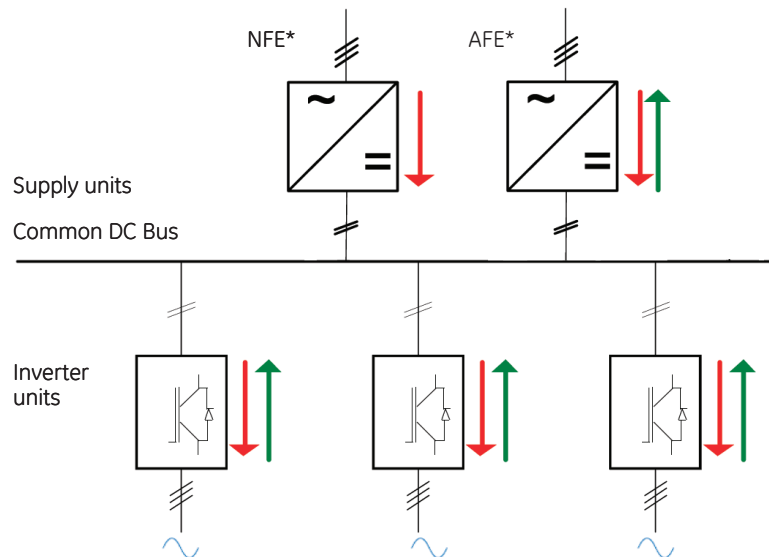
LV 7000-6 and 8: Supply units for common DC bus

LV 7000-6 and 8 products cover a number of DC supply units for Common DC bus bar, in the entire power range from 1 to 2000 kW at 460,575 and 690 VAC.



Technical Data		
Supply units for Common DC bus	The supply units convert a mains AC voltage and current into a DC voltage and current. The power is transferred from the mains to a common DC bus (and, in certain cases, it has the ability to regenerate back to the mains).	
	LV 7000-6	The AFE (Active front-end) unit is a bidirectional (regenerative) power converter for the front-end of a common DC bus drive. An external LCL filter is used at the input. This unit is suitable in applications where low mains harmonics are required.
	LV 7000-8	The NFE (Non-regenerative front-end) unit is a unidirectional (motoring) power converter and operates as a diode bridge using diode/thyristor components. A dedicated external choke is used at the input. The NFE unit has the capacity to charge a common DC bus. This unit is suitable as a rectifying device when a "normal" level of harmonics is accepted and no regeneration to the mains is required.
Supply Connection	Input voltage Uin (AC)	460 VAC, 575 VAC and 690 VAC
	Input device	NFE
AFE		Filter (LCL)
Pre-charging	NFE	Integrated
	AFE	External required
Ambient conditions	Ambient operating temperature	-10°C (no frost)...+40°C
	Storage temperature	-40°C ...+70°C
	Relative humidity	0 to 95% RH, non-condensing, non-corrosive, no dripping water
	Altitude	100% load capacity (no derating) up to 1,000 m 1% derating for each 100 m above 1000.; max 3000 m
	Cooling	Forced air cooling
	Unit enclosure class	F19...F114: IP00
Inverter units	Inverter units up to 2 MW: Refer to data sheet GEA30484 for details	

High configurability



Supply Unit: AFE

AC Voltage 460 VAC, 50/60 Hz, 3 Phase

Inverter type	Rated cont. AC Current (A) Low overload (1)	KW cont. @ Low overload (1) @ 460 VAC	Rated cont. AC Current (A) High overload (2)	KW cont. @ High overload (2) @ 460 VAC	Frame	Power Module Dimensions (in) & Weight (lbs)
LV 7000-6-0261 5	261	202	205	159	FI9	9.4 x 40.6 x 14.6/148
LV 7000-6-0460 5	460	357	385	299	FI10	9.4 x 40.6 x 21.7/220
LV 7000-6-0920 5	875	675	732	565	2 x FI10	2 x (9.4 x 40.6 x 21.7/220)
LV 7000-6-1300 5	1300	1007	1150	891	FI13	27.9 x 40.6 x 21.8/675
LV 7000-6-2470 5	2470	1909	2185	1689	2 x FI13	2 x (27.9 x 40.6 x 21.8/675)
LV 7000-6-3705 5	3705	2864	3278	2534	3 x FI13	3 x (27.9 x 40.6 x 21.8/675)

Supply Unit: AFE

AC Voltage 575 & 690 VAC, 50/60 Hz, 3 Phase

Inverter type	Rated cont. AC Current (A) Low overload (1)	KW cont. @ Low overload (1) 575/690	Rated cont. AC Current (A) High overload (2)	KW cont. @ High overload (2) 575/690	Frame	Power Module Dimensions (in) & Weight (lbs)
LV 7000-6-0170 6	170	165/198	144	140/168	FI9	9.4 x 40.6 x 14.6/148
LV 7000-6-0325 6	325	315/378	261	253/304	FI10	9.4 x 40.6 x 21.7/220
LV 7000-6-0634 6	634	597/716	509	479/575	2 x FI10	2 x (9.4 x 40.6 x 21.7/220)
LV 7000-6-1030 6	1030	996/1195	920	890/1067	FI13	27.9 x 40.6 x 21.8/675
LV 7000-6-2008 6	2008	1892/2270	1794	1690/2028	2 x FI13	2 x (27.9 x 40.6 x 21.8/675)
LV 7000-6-2987 6	2987	2838/3405	2668	2535/3091	3 x FI13	3 x (27.9 x 40.6 x 21.8/675)
LV 7000-6-3965 6	3956	3782/4538	3542	3379/4054	4 x FI13	4 x (27.9 x 40.6 x 21.8/675)

Supply Unit: NFE

AC Voltage 460 VAC, 50/60 Hz, 3 Phase

Inverter type	Rated cont. AC Current (A) Low overload (1)	KW cont. @ Low overload (1) @ 460 VAC	Rated cont. AC Current (A) High overload (2)	KW cont. @ High overload (2) @ 460 VAC	Frame	Power Module Dimensions (in) & Weight (lbs)
LV 7000-8-0650 5	650	472	507	368	FI9	9.4 x 40.6 x 14.6/148
LV 7000-8-1235 5	1235	897	963	699	2 x FI9	2 x (9.4 x 40.6 x 14.6/295)
LV 7000-8-1853 5	1853	1346	1445	1050	3 x FI9	3 x (9.4 x 40.6 x 14.6/295)
LV 7000-8-2470 5	2470	1794	1927	1400	4 x FI9	4 x (9.4 x 40.6 x 14.6/295)
LV 7000-8-3088 5	3088	2243	2408	1749	5 x FI9	5 x (9.4 x 40.6 x 14.6/295)
LV 7000-8-3705 5	3705	2691	2890	2099	6 x FI9	6 x (9.4 x 40.6 x 14.6/295)

Supply Unit: NFE

AC Voltage 575/690 VAC, 50/60 Hz, 3 Phase

Inverter type	Rated cont. AC Current (A) Low overload (1)	KW cont. @ Low overload (1) 575/690	Rated cont. AC Current (A) High overload (2)	KW cont. @ High overload (2) 575/690	Frame	Power Module Dimensions (in) & Weight (lbs)
LV 7000-8-0650 5	650	590/708	507	460/552	FI9	9.4 x 40.6 x 14.6/148
LV 7000-8-1235 5	1235	1121/1345	963	874/1049	2 x FI9	2 x (9.4 x 40.6 x 14.6/295)
LV 7000-8-1853 5	1853	1682/2018	1445	1312/1574	3 x FI9	3 x (9.4 x 40.6 x 14.6/295)
LV 7000-8-2470 5	2470	2242/2690	1927	1749/2099	4 x FI9	4 x (9.4 x 40.6 x 14.6/295)
LV 7000-8-3088 5	3088	2803/3363	2408	2186/2622	5 x FI9	5 x (9.4 x 40.6 x 14.6/295)
LV 7000-8-3705 5	3705	3363/4036	2890	2623/3148	6 x FI9	6 x (9.4 x 40.6 x 14.6/295)

(1) Low overload = 110% overloadability, 1 min/10 min
(2) High overload = 150% overloadability, 1 min/10 min



For more information visit us at www.gepowerconversion.com

© 2016 General Electric Company. All rights reserved.

GEA30485 (5/2016)